



by **ERSAŞ** Pal

**Kutusuz Panjur Olur mu Demeyin, **Oldu işte!****

*Don't say that there's no shutter without a box, There is!*

**KTM Panjur Profil Katalođu** *KTM Blinds Profile Catalog*



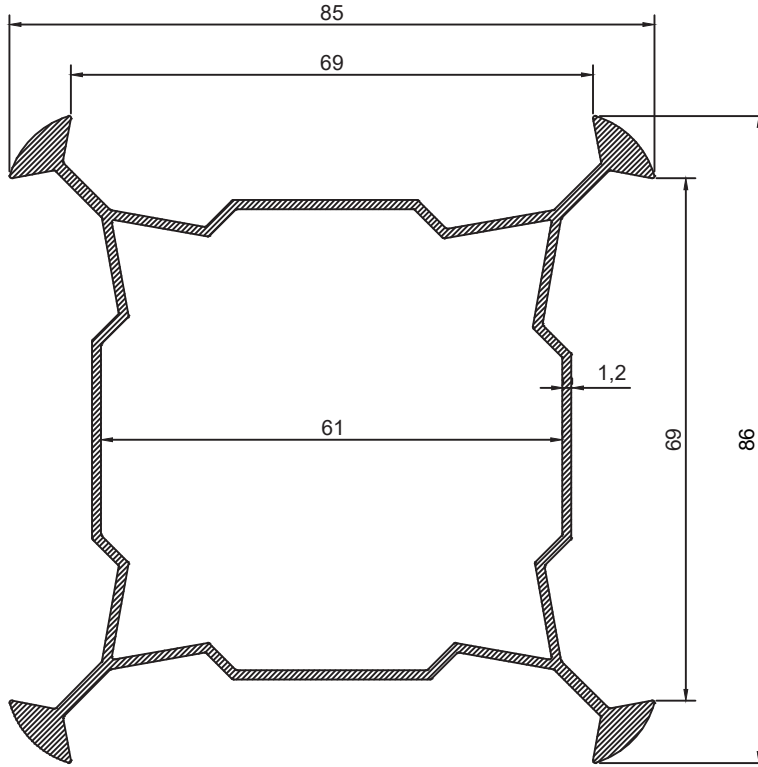
**KUTUSUZ!**  
WITHOUT A BOX!

[www.ersaspal.com.tr](http://www.ersaspal.com.tr)

**KTM Panjur İle Estetik ve İşlevselliđi Bir Arada Sunuyor.**

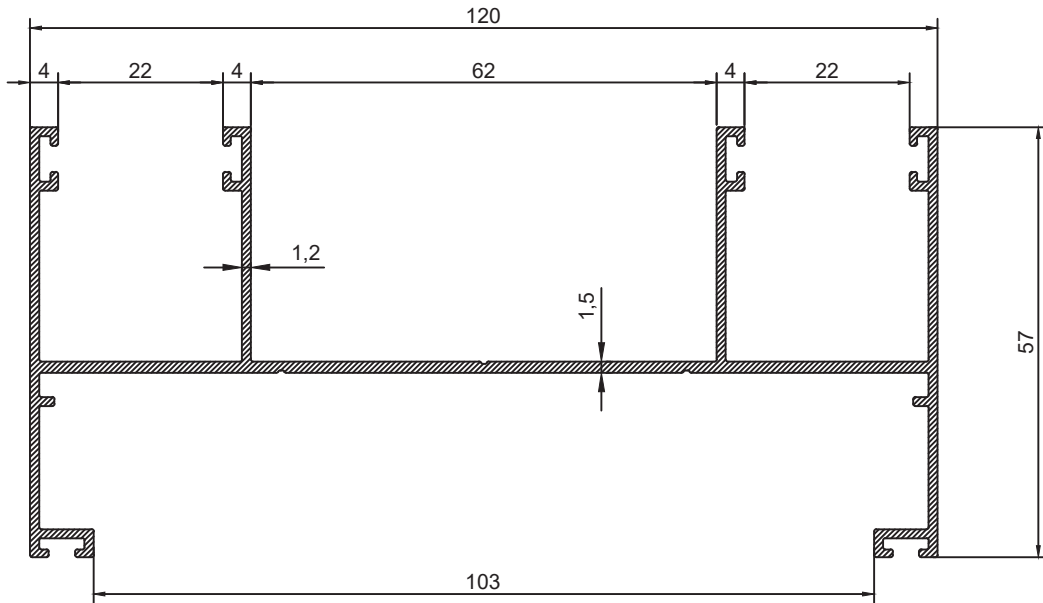
*KTM Blinds Offers Aesthetics and Functionality Together.*





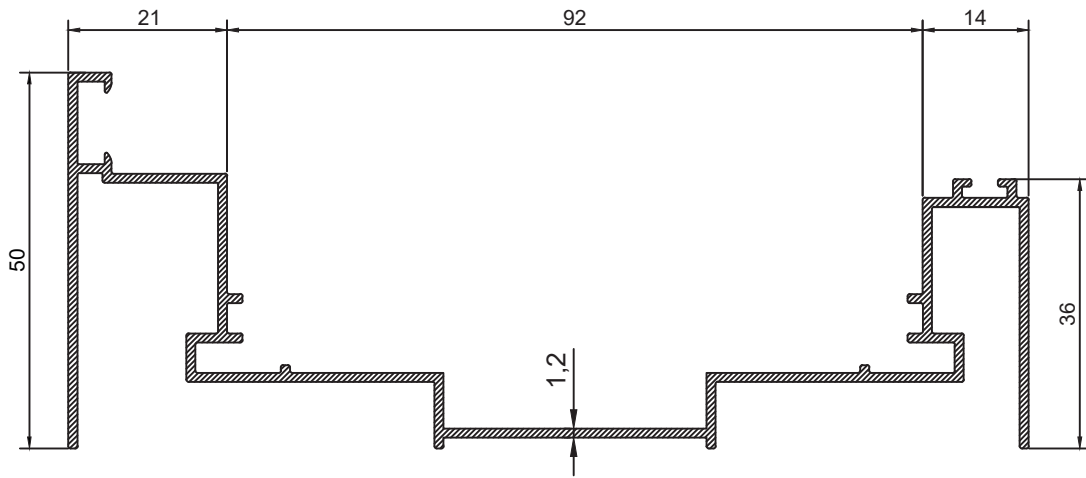
ER 7268  
1,146 kg/m

**60 Iık Tanbur Borusu**  
60 Drum Pipe



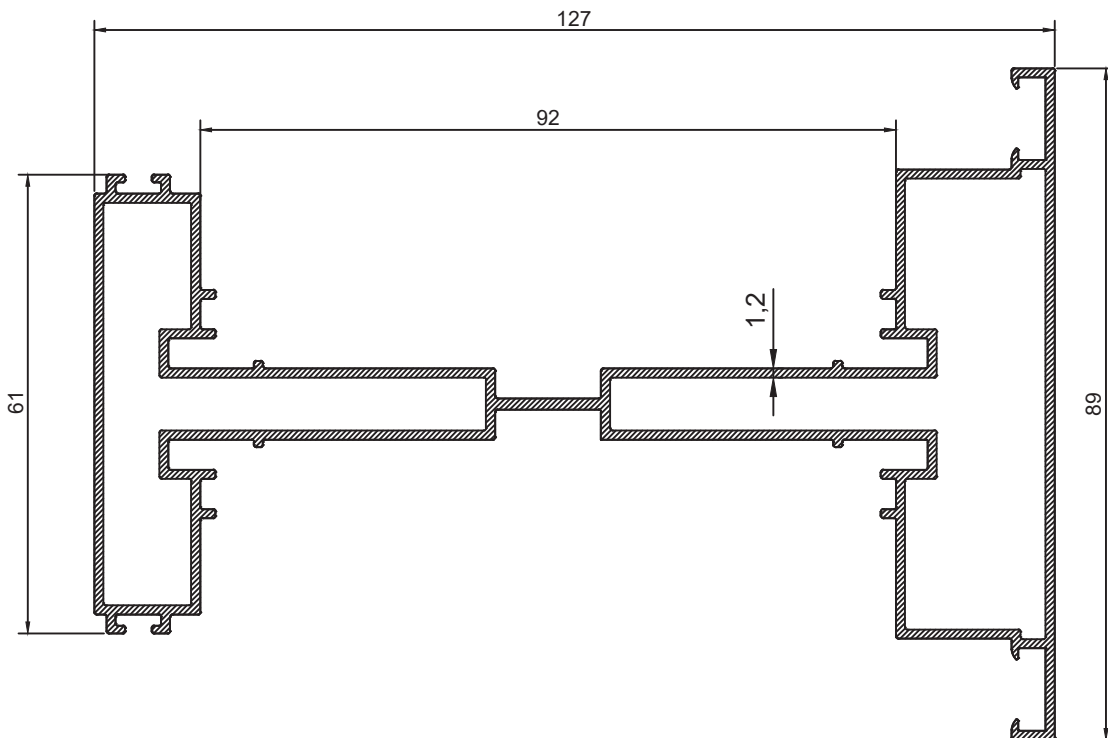
ER 7269  
1,227 kg/m

**Hareketli Çiftli Ray**  
Movable Double Rail



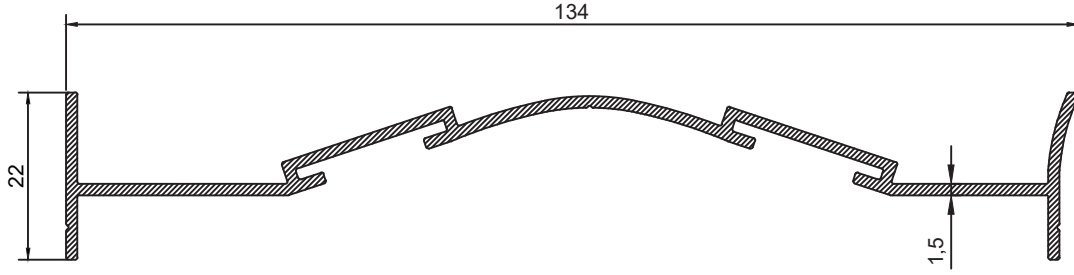
ER 7270  
1,027 kg/m

**Kenar Dikme**  
Edge Fixing



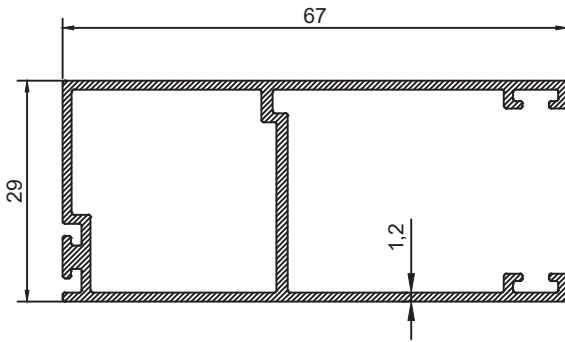
ER 7271  
1,883 kg/m

**127 lik Orta Dikme**  
127 Middle Fixing



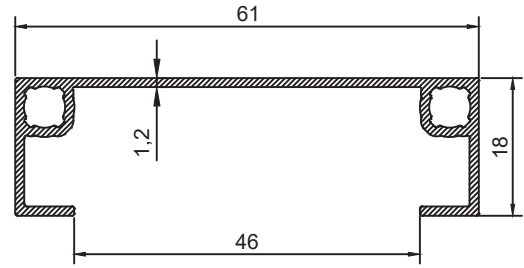
ER 7272  
0,804 kg/m

**Üst Tozluk ve Kasa Profili**  
Top Brush and Frame Profile



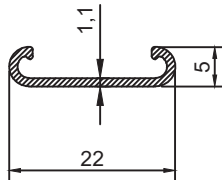
ER 7273  
0,718 kg/m

**Sabit Tek Ray**  
Fixed Rail



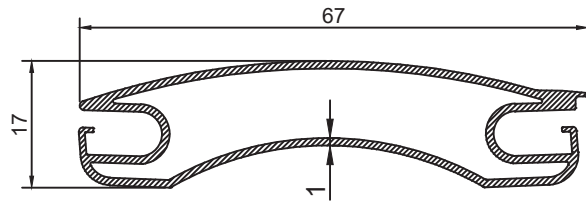
ER 7274  
0,431 kg/m

**Hareketli Alt Üst Kasa**  
Movable Top-Bottom Frame



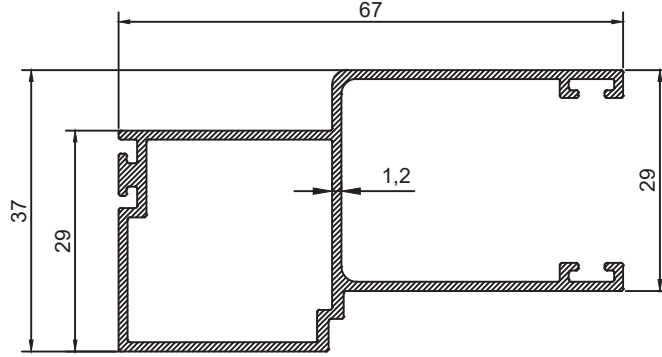
ER 7275  
0,092 kg/m

**Mafsal Profili**  
Joint Profile



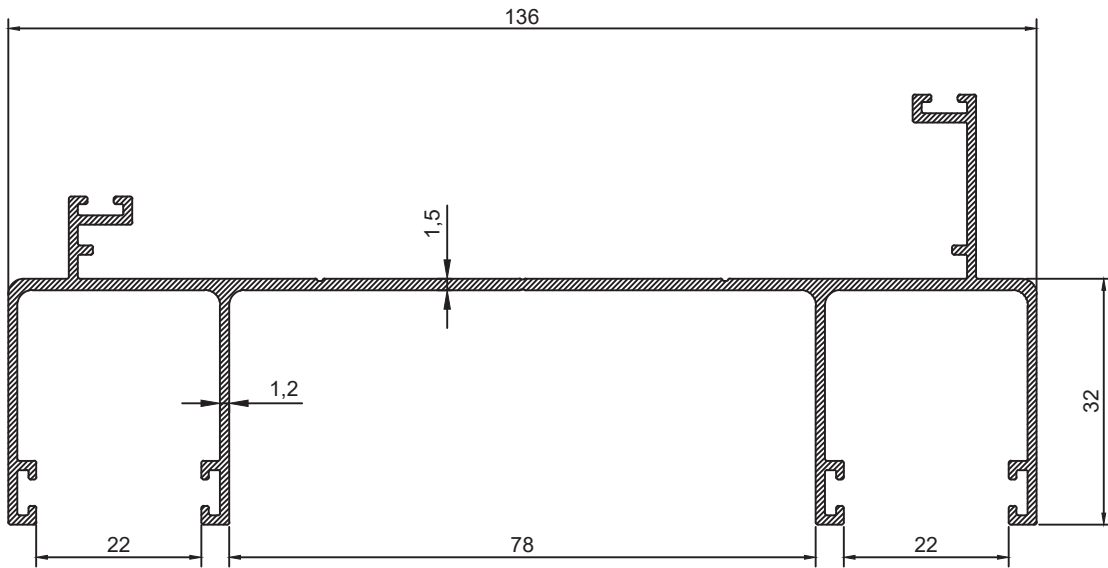
ER 7276  
0,537 kg/m

**Alüminyum Lamel Profili**  
Lamella Profile



ER 7353  
0,726 kg/m

**Yataksız Sabit U**  
Frameless U Profile



ER 7354  
1,260 kg/m

**Yataksız Hareketli U**  
Frameless Movable U Profile



**Ürün Kodu:** NK45S-60/8 Butonlu Panjur Motoru  
**Tork:** 60 Nm  
**Voltaj:** 230 V  
**Product code:** NK45S-60 / 8 Button Shutter Motor  
**Torque:** 60 Nm  
**Voltage:** 230 V



**Ürün Kodu:** NK59R-160/6 Radyo Alıcılı ve Manuel Panjur-Kepek Motoru  
**Tork:** 160 Nm  
**Voltaj:** 230 V  
**Product code:** NK59RM-160 / 6 Radio Receiver and Manual Roller Shutter Motor  
**Torque:** 160 Nm  
**Voltage:** 230 V



**KTM - 001**  
**70 lik Tanbur Borusu**  
70 - Drum Pipe



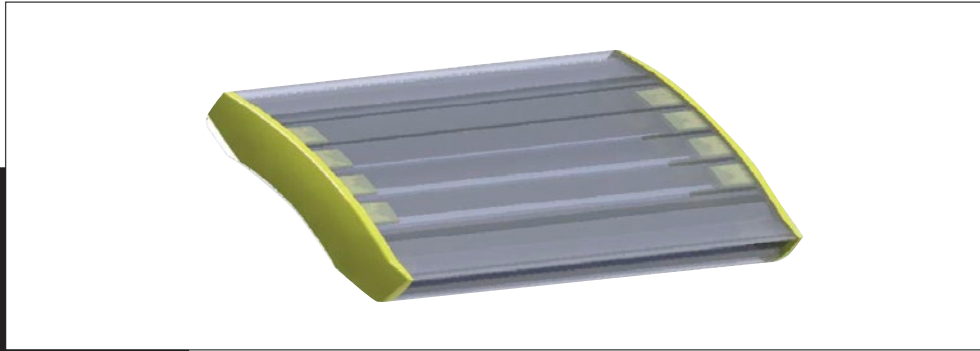
**KTM - 005**  
**60 lik Tanbur Borusu**  
60 - Drum Pipe



**KTM-002**  
**Rulmanlı Panjur Yatağı**  
Frame With Roller



**KTM-55x650**  
**Kıl Fitol**  
Brush Gasket



**KTM - 006**  
**Lamel Kapak**  
Lamellar Cover



**NR-503**

**Standart Panjur Butonu**  
Standard Shutter Button



**NR-101-16**

**16 Kanallı Uzaktan Kumanda**  
16-Channel Remote Control



**NR-101-06**

**6 Kanallı Uzaktan Kumanda**  
6 Channel Remote Control



**NR-101-01**

**Tek Kanallı Uzaktan Kumanda**  
Channel Remote Control



## Kutusuz Panjur Olur mu Demeyin, **Oldu İşte!**

*Don't say that there's no shutter without a box, There is!*

**KUTUSUZ!**  
WITHOUT A BOX!



**YER KAYBINA SON!**  
NO MORE LOSS OF SPACE!



**ERSAŞ Pal**  
KOMPOZİT PROFİL SANAYİ A.Ş.

**Genel Müdürlük Headquarters**  
Topcular Mah. İncirlik Sk. No: 11-15  
Ersaş Plaza, Eyüpsultan / İstanbul / Türkiye  
Tel: +90 (212) 674 12 14  
Fax: +90 (212) 674 12 17  
E-Mail: ersaspen@ersaspen.com.tr  
E-Mail: export@ersaspen.com.tr

**Ankara Merkez Bölge Müdürlüğü**  
Ankara Central Regional Office  
Önder Mah. Ereğli Cad. No: 17 - B  
Altındağ / Ankara / Türkiye  
Tel: +90 (312) 349 67 49  
Fax: +90 (312) 351 48 35  
E-Mail: ankaramerkezbolgemudurlugu@ersaspen.com.tr

**Fabrika Factory**  
Ergene 1 O.S.B Vakıflar O.S.B Mah. Sanayi Cad. No: 19-1  
Ergene / Tekirdağ / Türkiye  
Tel: +90 (282) 683 20 22  
Fax: +90 (282) 683 20 28